

Towing Pattern (Bulk)

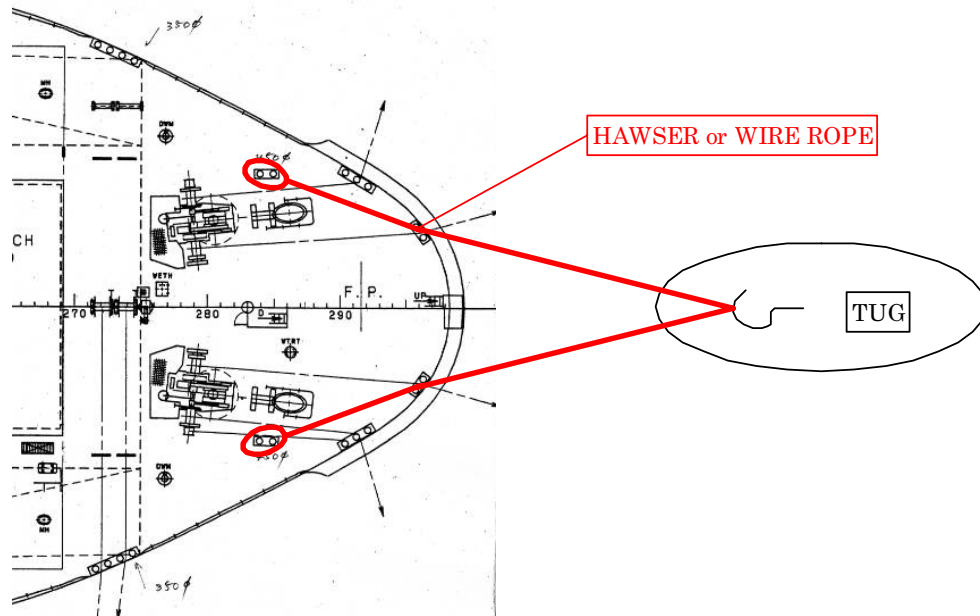
4. Towing patterns

The towing patterns for this ship are the following 6 patterns in principle.

The pattern is determined by the captain or the headquarters in consultation with the towing company, taking into account of the ship status and the surrounding conditions.

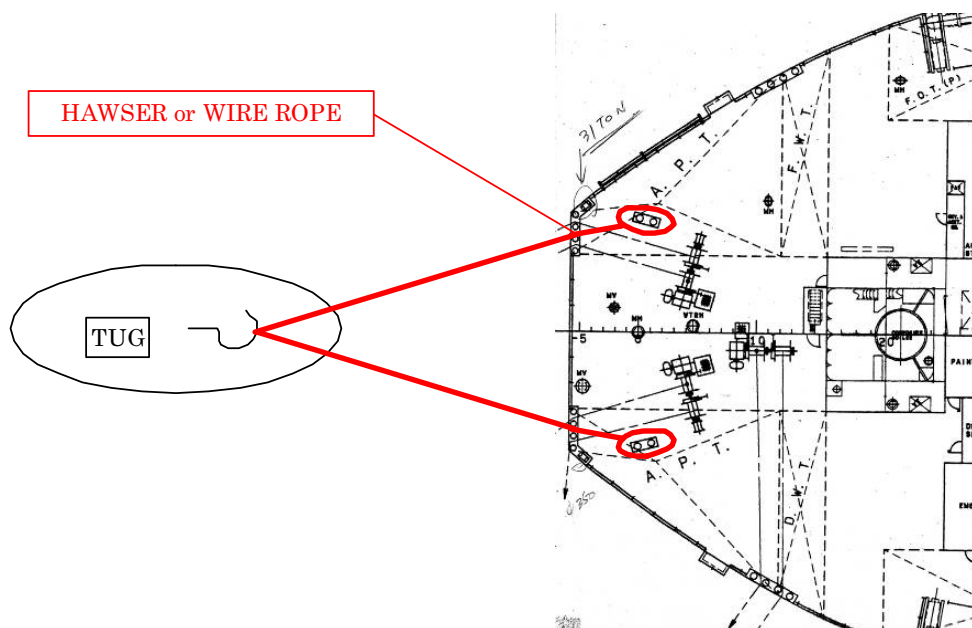
(1) Pattern 1-F (towing from the bow)

Use a hawser or a wire rope and a bollard



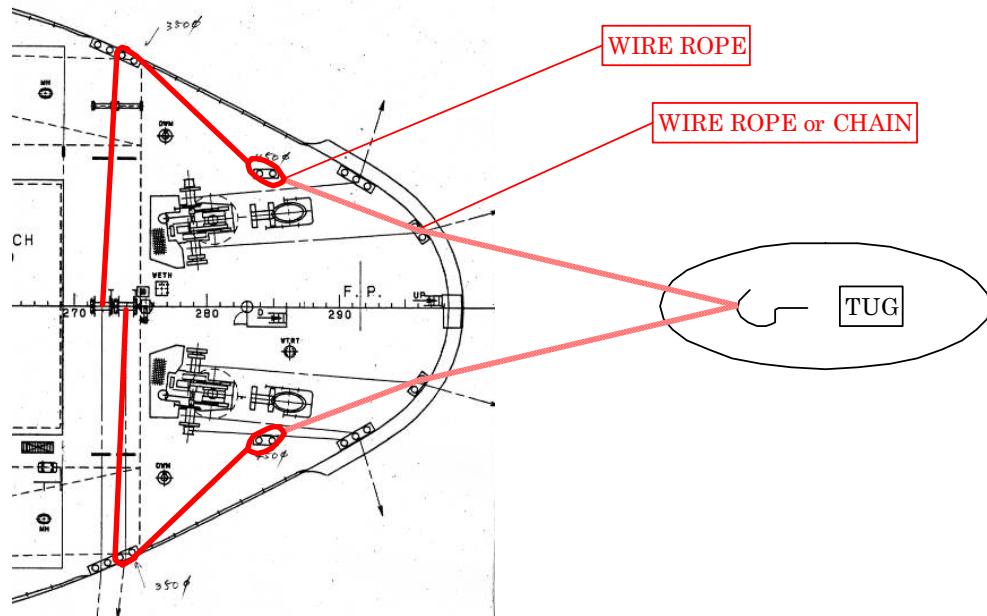
(2) Pattern 1-A (towing from the stern)

Use a hawser or a wire rope and a bollard



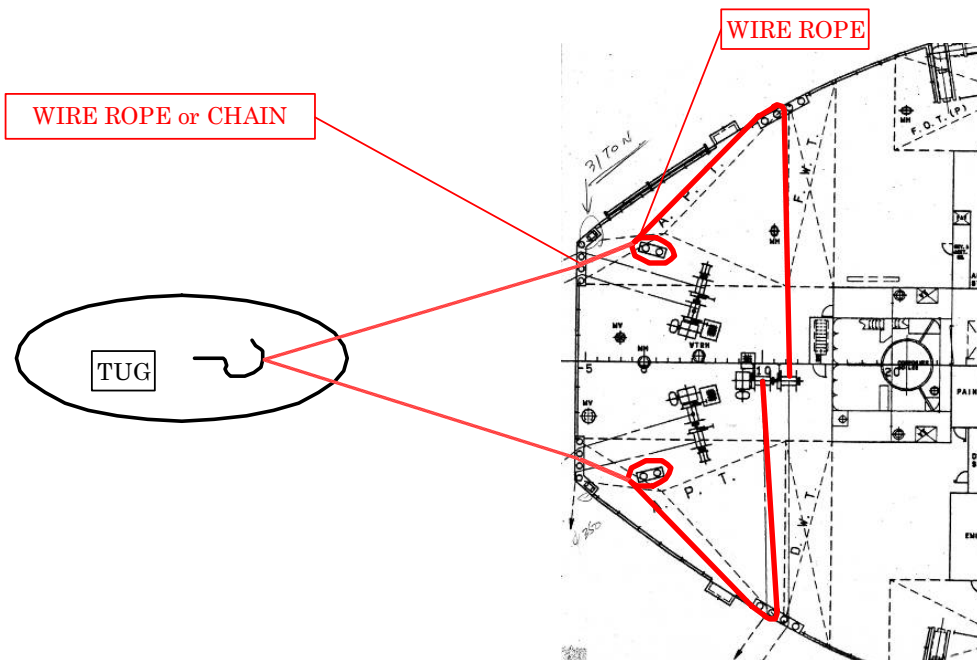
(3) Pattern2-F (towing from the bow)

Use wire ropes or chains and two bollards in order to distribute the towing force



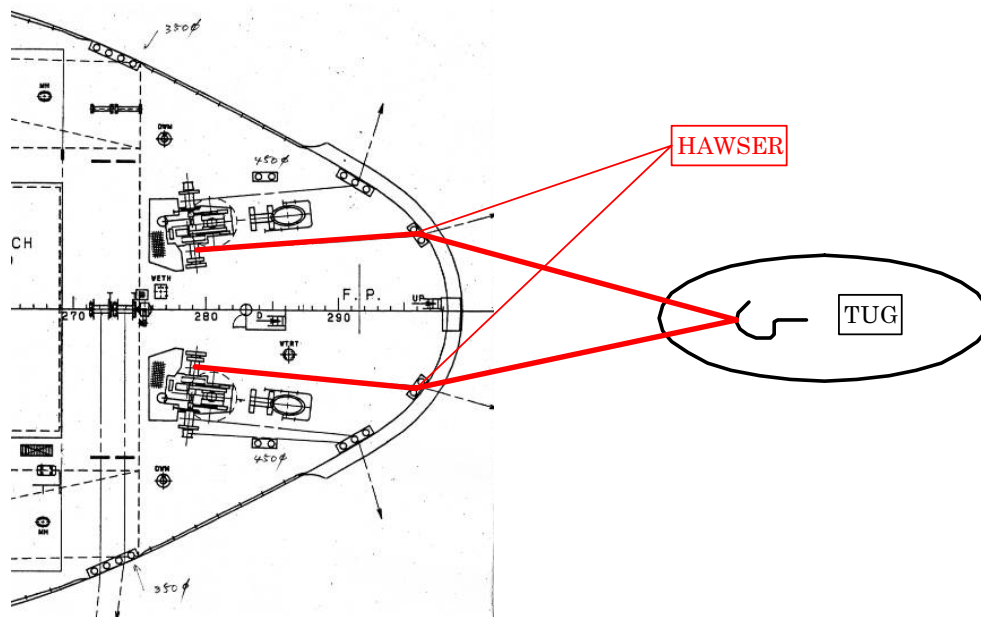
(4) Pattern2-A (towing from the stern)

Use wire ropes or chains and two bollards in order to distribute the towing force.



(5) Pattern 3-F (towing from the bow)

Use hawsers of the ship



(6) Pattern 3-A (towing from the stern)

Use hawsers of the ship

